

PERFORMANCE SERIES

H4W4PER2V



Network WDR 4MP IR Rugged Mini Dome Camera



| OPERATIONAL | |
|--------------------------|---|
| Video Standard | NTSC / PAL |
| Scanning System | Progressive |
| Image Sensor | 1 / 3" 4 Megapixel progressive CMOS |
| Number Of Pixels(H x V) | 2688 x 1520 |
| Minimum Illumination | 0.005 Lux/F1.5 (Color,30IRE), 0 Lux/F1.5 (IR ON) |
| S/N Ratio | More than 55 dB |
| Electronic Shutter Speed | 1 / 3~1 / 100000s |
| IR Distance | Up to 40m(131 ft), depending on scene reflectance |
| IR Light Control | Manual / Smart IR / OFF |
| IR Light Number | 2 |
| Day/Night | Auto(ICR) / Color / B&W |
| Backlight Compensation | BLC / HLC / WDR |
| Wide Dynamic Range | 120 dB |
| White Balance | Auto/Natural/Street Lamp/Outdoor/Manual/Customized Region |
| Gain Control | 0~100 |
| Noise Reduction | 3D DNR |
| Privacy Masking | Off / On (4 Areas, Rectangle) |
| Motion Detection | Off / On (4 Zones, Rectangle) |
| Region Of Interest | Off / On (4 Zones) |
| Lens | 2.7 mm~13.5 mm, Motorized, F1.5 |
| Angle Of View | H: 104°~27°, V: 55°~15° |
| Alarm Input/Output | 1 In; 1 Out |
| VIDEO | |
| Compression | H.265 / H.264 / Smart Codec / MJPEG (Sub Stream) |
| Resolution | 4M (2688 x 1520); 3M (2304 x 1296); 1080p (1920 x 1080); 1.3M (1280 x 960); 720p (1280 x 720); D1 (704 x 576/704 x 480); VGA (640 x 480); CIF (352 x 288/352 x 240) |
| Frame Rate | Main Stream: 2688 x 1520 / 2304 x 1296 / 1920 x 1080 / 1280 x 960 / 1280 x 720@ (1 ~ 25/30 fps) Sub Stream: 704 x 576 / 640 x 480 / 352 x 288@ (1 ~ 25 fps); 704 x 480 / 640 x 480 / 352 x 240@ (1 ~ 30 fps) Third Stream: 1280 x 720 / 704 x 576 / 640 x 480@ (1 ~ 25 fps); 1280 x 720 / 704 x 480 / 640 x 480@ (1 ~ 30 fps) |
| Bit Rate Control | CBR / VBR |
| Bit Rate | H.264: 3 kbps~8192 kbps H.265: 3 kbps~8192 kbps |
| Analytics | Motion Detection, Video Tamper, Scene Change, Smart Motion Detection, Smart Tripwire, Smart Intrusion, Face Detection |
| AUDIO | |
| Interface | 1 In; 1 Out |

| NETWORK | |
|-----------------------|--|
| Ethernet | RJ-45 (10 / 100 Base-T) |
| Protocols* | HTTP; HTTPS; TCP; ARP; RTSP; RTP; RTCP; UDP; SMTP; DHCP; DNS; PPPoE; IPv4/v6; QoS; UPnP; NTP; Bonjour; IEEE 802.1x; Multicast; ICMP; IGMP; TLS |
| Compatibility | ONVIF Profile S / G / Q / T |
| Maximum Users Access | 20 users |
| Security | User account and password protection HTTPS, IP Filter, Digest authentication, User access log, TLS1.2 only, AES-128 / 256, SSH / Telnet closed, sFTP by default, PCIDSS compliance |
| Event | No SD card, SD card error, Capacity warning, Network disconnection, IP conflict, Illegal access |
| Micro SD | Supports max. 256 GB Micro SD card |
| ELECTRICAL | |
| Power Supply | DC12V, PoE (802.3 af)(Class 0) |
| Power Consumption | <8.5W |
| MECHANICAL | |
| Dimensions | Ø122 mm x 88.9 mm(4.80" x 3.50") |
| Product Weight | 0.50 kg (1.10 lb) |
| Package Weight | 0.66 kg (1.46 lb) |
| Construction | Die-cast aluminum housing with powder coat |
| Construction Color | RAL 9003 (White) |
| ENVIRONMENTAL | |
| Operating Temperature | -40°C to 60°C (-40°F to 140°F) |
| Relative Humidity | Less than 95%, non-condensing IP |
| Ingress Protection | IP67 |
| Vandal Resistance | IK10 |
| REGULATORY | |
| Emissions | FCC Part 15B, EN55032 |
| Immunity | EN 50130-4 |
| Safety | UL60950-1, EN 62368-1 |
| RoHS | EN 50581 |
| Country of Origin | India |

* Some development may be required in specific user cases to support some of these protocols in the field as they mature over time.

PERFORMANCE SERIES NETWORK WDR 4MP IR RUGGED MINI DOME CAMERA RECOMMENDED ACCESSORIES

| SYSTEM INTEGRATION | |
|--------------------|---|
| HEN*4 | 8 / 16 / 32 / 64-Channel Performance Series 4K NVRs (H.264 and H.265) |
| HEN*3 | 4 / 8 / 16 / 32-Channel Performance Series 4K NVRs (H.264 and H.265) |
| HEN*3V | 4 / 8 / 16- Channel Embedded NVRs (H.265) |

| MOUNTS AND ACCESSORIES | | |
|------------------------|---|----------------------|
| HQA-RS |  | Rain Shield Bracket |
| HQA-PK |  | Pendant Mount Cap |
| HQA-WK** |  | Wall Mount Bracket |
| HB34S2-CM |  | Corner Mount Adapter |

| MOUNTS AND ACCESSORIES | | |
|------------------------|---|------------------------------|
| HQA-PM2 |  | Pole Mount Adapter |
| HQA-IC |  | In-Ceiling Bracket |
| HQA-BB4** |  | Junction Box |
| HQA-BB2** |  | Junction Box |
| HQA-CB** |  | Ceiling Mount Bracket |
| HQA-CBE** |  | Ceiling Mount Extend Bracket |

**The HQA-CB must be used when installing the camera to HQA-PK.

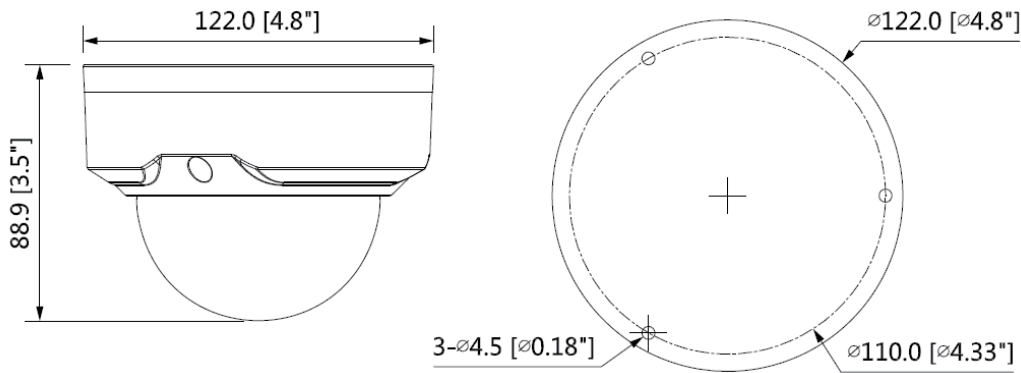
The HQA-CBE must be used with HQA-CB together.

The HQA-WK/HQA-BB2/HQA-BB4 must be used when installing the camera to HQA-PM2.

The HQA-BB2 must be used when installing the camera to HB34S2-CM.

| ORDERING | |
|-----------|--|
| H4W4PER2V | Network WDR 4MP IR Rugged Mini Dome Camera, 1/3" CMOS, 2.7 mm-13.5 mm Motorized, 2 IR LEDs, PoE, H.265 / Smart Codec |

DIMENSIONS



For more information

www.honeywellbuildings.in

Call: 000-8000-502167

Email: HBT-IndiaBuildings@honeywell.com

Honeywell HBT India Buildings

Unitech Trade Center, 5th Floor, Sector-43,
Block C, Sushant Lok Phase - I,
Gurgaon - 122 002.

ONVIF and the ONVIF logo are trademarks of ONVIF Inc.
Honeywell reserves the right, without notification, to
make changes in product design or specifications.

HSV-H4W4PER2V-01-IND(0122)DS
© 2022 Honeywell International Inc.

Honeywell